

ZD-QJY3.5F 4-Post Hydraulic Car lift

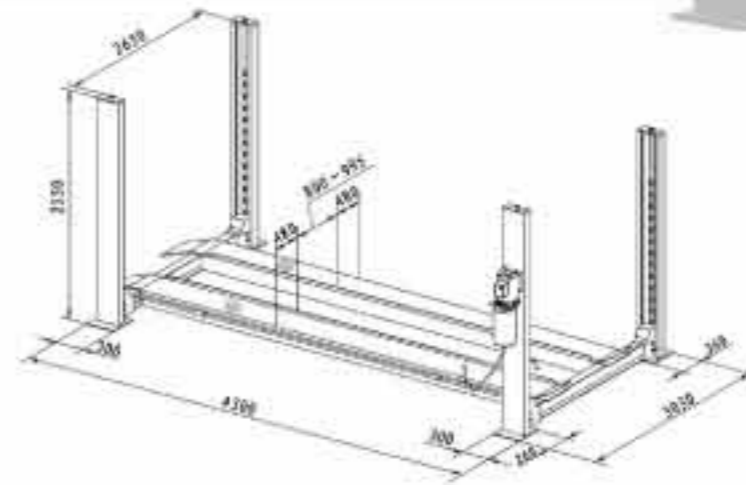
Features

- Anti-slip platform, distance adjustable to accommodate different vehicles.
- The hydraulic cylinder is inside the fixed platform and is thus perfectly protected.
- Safety systems against cable breakage, against obstacles during descend.
- Connected steel cables to force the synchronized moving of platforms.

ZD-QJY3.5F-1 with Italian pump station, Chinese hydraulic cylinder.

ZD-QJY3.5F-2 with Chinese pump station, Chinese hydraulic cylinder.

(Italian cylinder optional)



Technical data

Lifting capacity	3500kg	Drive-thru distance	2650mm
Lifting height	1600mm	Net weight	850Kg
Min. height	190mm	Motor power	2.2kw
Raising time	≤70s	Power supply	380v, 220v
Lowering time	≤60s		