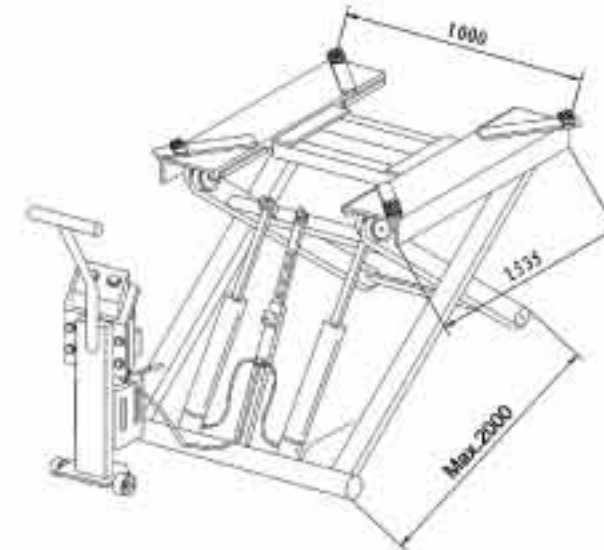


ZD-QJY2.8S *Portable Scissor Car lift*

Features

- *Portable for desired positions, less spaces needed when stand-by.*
- *Support arm adjustable for the tyre service of different vehicles.*
- *Manual self-lock device for safety.*
- *Separate control station.*



Technical data

Lifting capacity	2800kg	Net weight	300Kg
Lifting height	780mm	Motor power	2.2kw
Min. height	130mm	Power supply	380v, 220v
Raising time	≤ 60s		
Lowering time	≤ 45s		